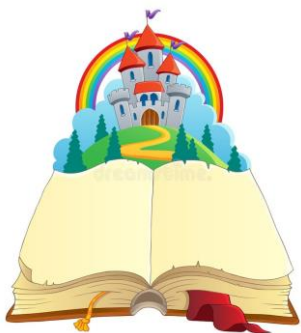


English

This half term we will be focusing on both fiction and non-fiction writing. We will be learning to write a set of instructions using a short film called 'Shirt Machine' as inspiration. The children will also be writing their very own fairy-tale based on a short film called 'Clock Tower'



Mathematics

This half term the children will be focusing on place value along with addition and subtraction. The children will be partitioning, ordering and comparing numbers up to 10,000. The children will also be adding and subtracting four digit numbers with and without the use of an exchange.

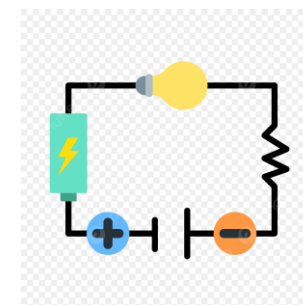


OAA

This half term the children will be developing their co-operation and team work skills whilst creating and improving a small trail. The children will also be learning how to orientate and navigate around a map accurately.

Science

This half term in science the children will be focusing on electricity. The children will learn about different electrical appliances and build up to creating a simple series circuit.

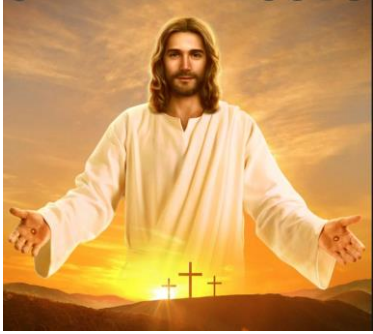


PSHCE

This half-term the children will be focusing on health and well-being. This includes risks in our locality and basic first aid training. The children will also explore the human stages of development and physical and emotional changes that can occur.

Religious Education

In RE, the children will be discussing why Jesus can be inspiring to some people. The children will be discussing who Jesus is and why he is still talked about today.



Music

In music the children will be focusing on body and tuned percussion. The children will learn how to identify structure and texture in music.

PERCUSSION family



History

In history the children will be learning about the Romans. The children will learn how the Romans lived and why they invaded Britain.



DT

In design and technology the children will be working collaboratively to create a nightlight. The children will complete a design process and will be tasked with selecting tools and materials to create their final design.



VectorStock

Monday, Tuesday, Wednesday, Thursday

Uniform Expectations: We will continue to uphold expectations for school uniform, including: A navy blue jumper or cardigan with or without the school logo; grey trousers, skirt or shorts; white or navy-blue polo shirt with or without the school logo; plain white, grey or black socks or plain grey tights; Plain black pumps, trainers or school shoes for inside the school building and a sensible shoe or boot of their choice to play outdoors in.

Friday

PE Kit should include: Plain navy-blue polo shirt with or without the school logo; plain black shorts, leggings or cycle shorts; plain black tracksuit bottoms; plain black tracksuit bottoms; plain navy-blue sweatshirt and plain black trainers that are suitable for outdoor sport.

Please ensure uniform is clearly marked with the pupil's name.